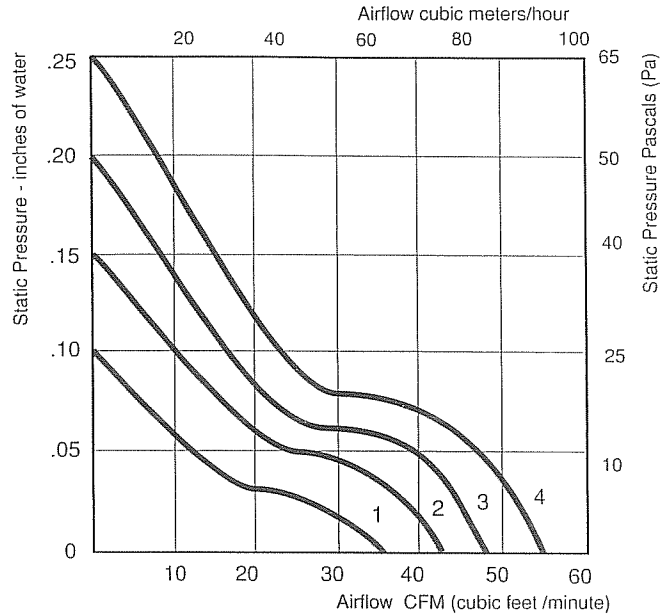
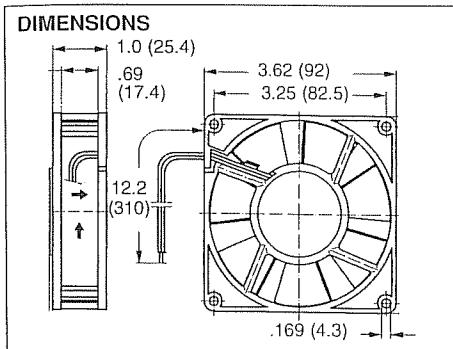
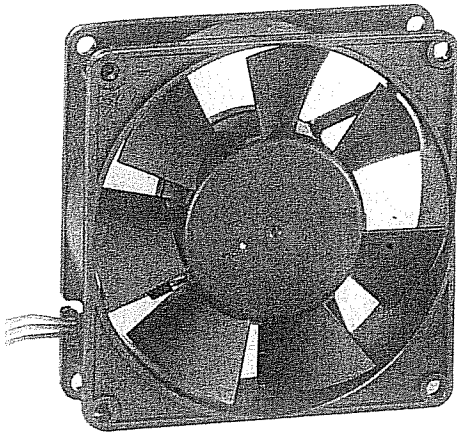


92 x 25 mm (3.6" X 1.0") Brushless DC

3400 Series



HIGH PERFORMANCE
SINTEC
SLEEVE BEARING SYSTEM

3.62" X 3.62" X 1.00" Brushless DC, Plastic, Air Exhaust – Over Struts

Curve	PART NUMBER	Type of Bearing	DC Volts	Voltage Range	CFM @ 0"	Watts	dBA	Temp. Max °C	Wgt. (oz)	Features	Approvals*		
											UL	CSA	VDE
1	3412L	Ball	12	7 - 15	1.3	36	27	75	5	24 AWG 12.2" Leads	✓	✓	✓
1	3412GL	Sleeve	12	7 - 15	1.3	36	26	75	5	24 AWG 12.2" Leads	✓	✓	✓
2	3412M	Ball	12	7 - 15	1.8	42	32	75	5	24 AWG 12.2" Leads	✓	✓	✓
2	3412GM	Sleeve	12	7 - 15	1.8	42	32	75	5	24 AWG 12.2" Leads	✓	✓	✓
3	3412	Ball	12	7 - 15	2.4	49	36	75	5	24 AWG 12.2" Leads	✓	✓	✓
3	3412/2	Ball	12	7 - 15	2.4	49	36	75	5	Leads, Hall Effect	✓	✓	✓
3	3412G	Sleeve	12	7 - 15	2.4	49	36	75	5	24 AWG 12.2" Leads	✓	✓	✓
4	3412GH	Sleeve	12	7 - 13	3.4	55	39	75	5	24 AWG 12.2" Leads	✓	✓	✓
1	3414L	Ball	24	12 - 28	1.3	36	27	75	5	24 AWG 12.2" Leads	✓	✓	✓
1	3414GL	Sleeve	24	12 - 28	1.4	36	26	75	5	24 AWG 12.2" Leads	✓	✓	✓
2	3414M	Ball	24	12 - 28	1.8	42	32	75	5	24 AWG 12.2" Leads	✓	✓	✓
2	3414GM	Sleeve	24	12 - 28	1.8	42	32	75	5	24 AWG 12.2" Leads	✓	✓	✓
3	3414	Ball	24	12 - 28	2.6	49	36	75	5	24 AWG 12.2" Leads	✓	✓	✓
3	3414/2	Ball	24	12 - 28	2.6	49	36	75	5	Leads, Hall Effect	✓	✓	✓
3	3414/12	Ball	24	12 - 28	2.6	49	36	75	5	Leads, Hall Effect	✓	✓	✓
3	3414G	Sleeve	24	12 - 28	2.4	49	36	75	5	24 AWG 12.2" Leads	✓	✓	✓
4	3414H	Ball	24	12 - 28	3.8	55	39	75	5	24 AWG 12.2" Leads	✓	✓	✓

* UL yellow card E38324, CSA file 27697, VDE file 3041

CONSTRUCTION MOUNTING & CONNECTION	Mounting:	From either face using four .169" (4.3 mm) holes	Connection:	Lead wires color coded, red (+), blue (-) / black (-)
	Weight:	5 ounces (150g)	Options:	Hall Effect monitor
	Housing:	Plastic with plastic impeller		